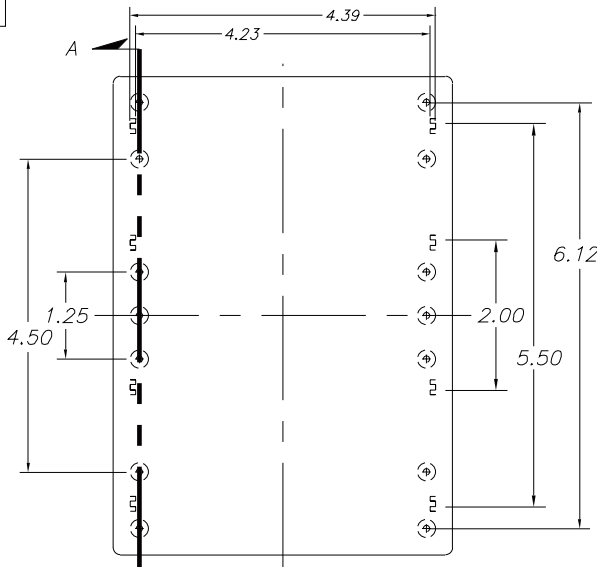
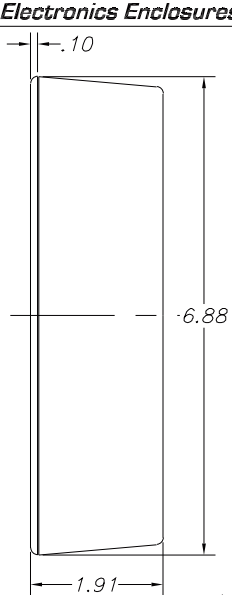
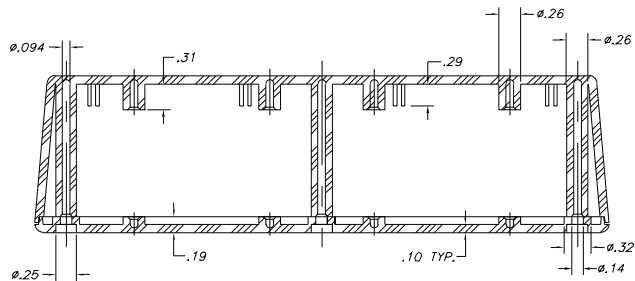
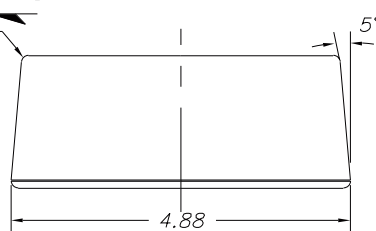
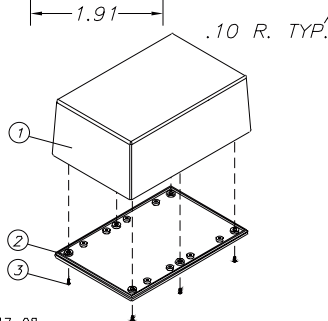
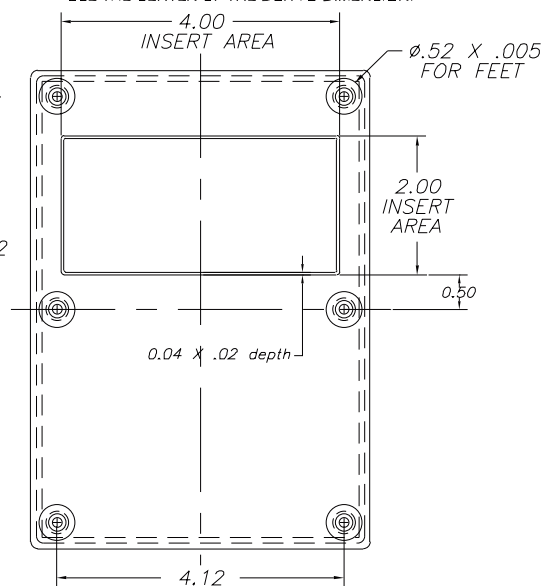


# SERPAC 073

Electronics Enclosures



NOTES:  
1. WHEN MACHINE OR I PLATES MODIFICATIONS ARE REQUIRED, USE THE CENTER OF THE BOX TO DIMENSION.



SECTION A-A

8-17-98.

ALL DIMENSIONS ± .010

ITEM	PART NO.	DESCRIPTION	ACCESSORIES	
1	73	PLASTIC TOP	PART NO.	DESCRIPTION
2	07	PLASTIC BOTTOM	51	FEET
3	6005	SCREWS (6)	370	PROTOTYPE GRID BOARD (HORIZ.)
			470	PROTOTYPE CLAD BOARD (HORIZ.)

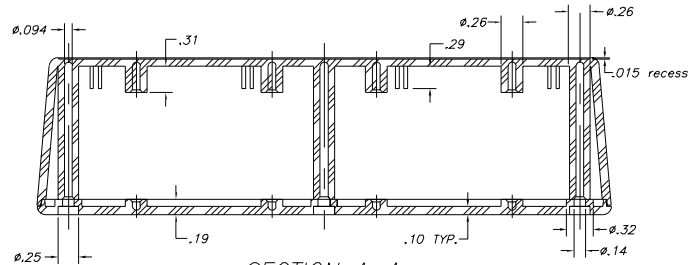
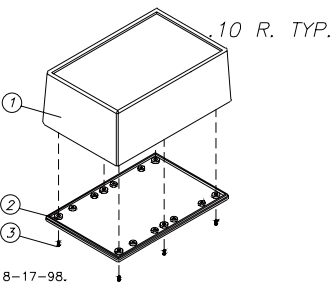
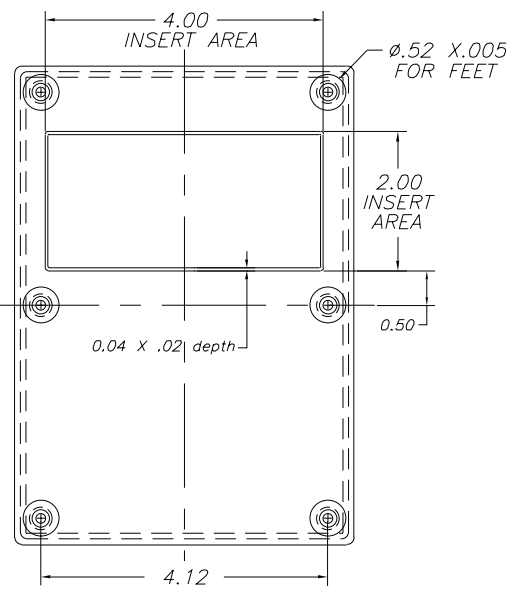
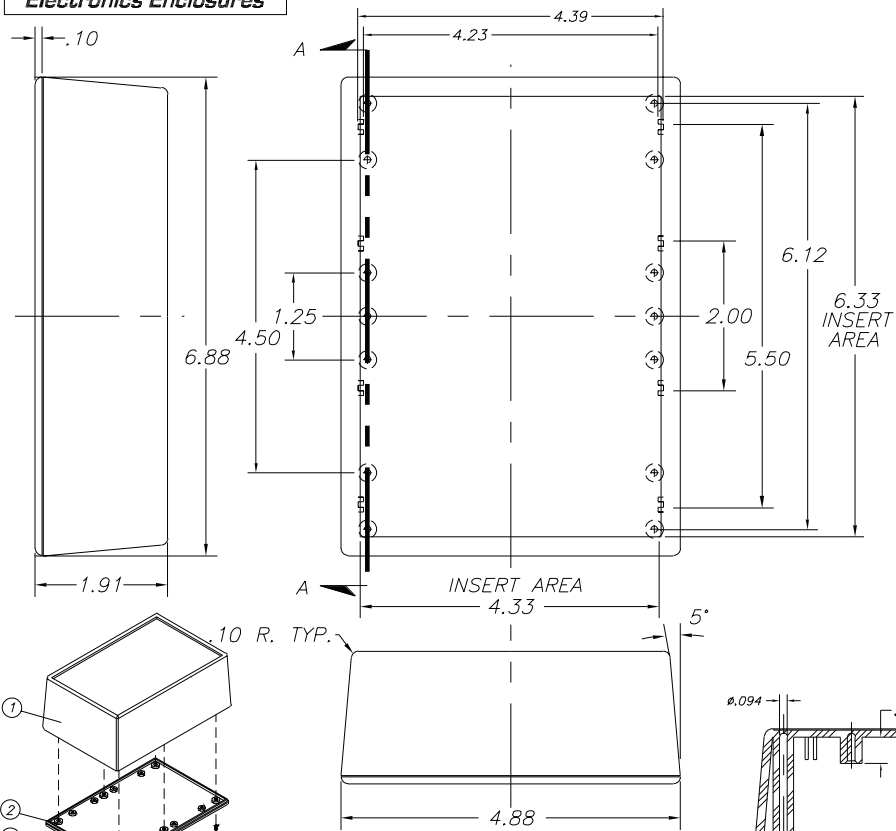
619 Commercial Ave. Covina, CA 91723

(626) 331-0517 Fax (626) 331-8584 <http://www.serpac.com>

# SERPAC 073-1

Electronics Enclosures

NOTES:  
1. WHEN MACHINE OR I PLATES MODIFICATIONS ARE REQUIRED, USE THE CENTER OF THE BOX TO DIMENSION.



8-17-98. ALL DIMENSIONS ± .010

ITEM	PART NO.	DESCRIPTION	PART NO.	DESCRIPTION
1	731	PLASTIC TOP	51	FEET
2	07	PLASTIC BOTTOM	370	PROTOTYPE GRID BOARD (HORIZ.)
3	6005	SCREWS (6)	470	PROTOTYPE CLAD BOARD (HORIZ.)

## SECTION A-A